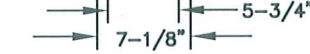
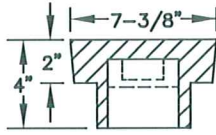
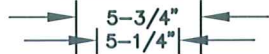
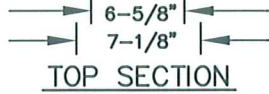
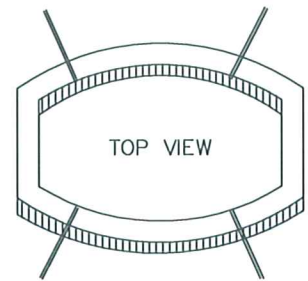


TYLER DROP LID NO. 6865 OR
 MUELLER COVER NO.
 H-10361 OR APPROVED EQUAL
 LABELED WATER



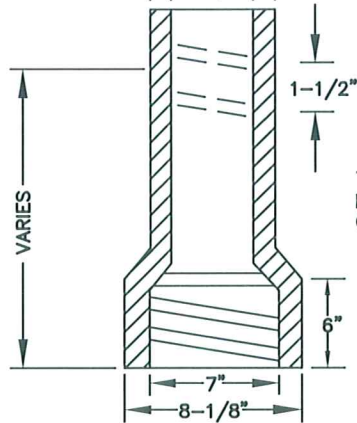
GATE VALVE ADAPTOR:
 1/4" STEEL WITH
 PROTECTIVE COATING.

1/2" RUBBER GASKET
 INSTALLED BETWEEN GATE
 VALVE AND ADAPTOR.

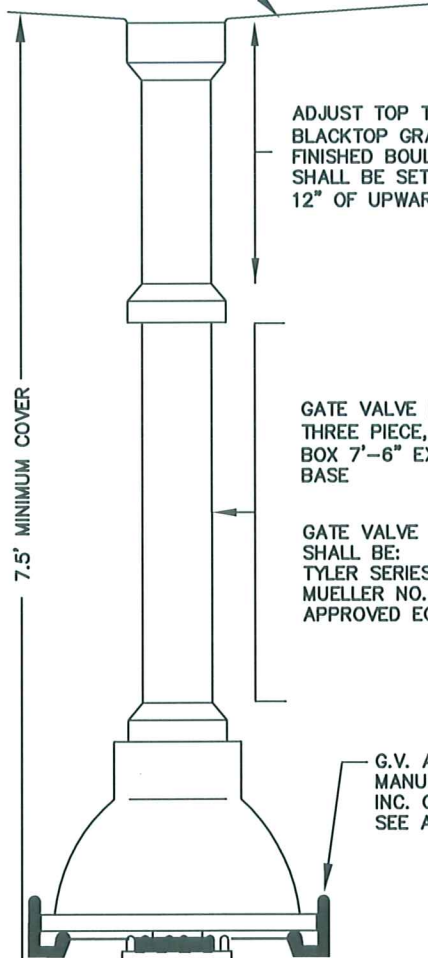


FINISHED GRADE

ADJUST TOP TO 1/4" BELOW
 BLACKTOP GRADE OR 1" BELOW
 FINISHED BOULEVARD GRADE AND
 SHALL BE SET SO AS TO PROVIDE
 12" OF UPWARD ADJUSTMENT.



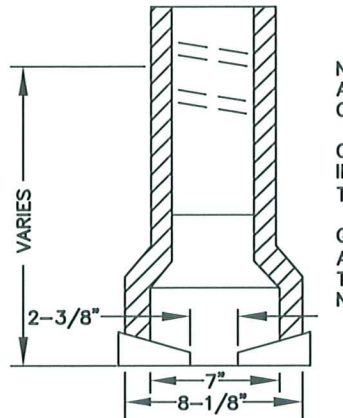
TYLER (NO. 58, 59 & 60)
 MUELLER (NO. 58 & 59)
 OR APPROVED EQUAL



GATE VALVE BOX, SCREW TYPE,
 THREE PIECE, 5 1/4" SHAFT, SIZE G
 BOX 7'-6" EXTENDED NO. 6 ROUND
 BASE

GATE VALVE AND BOXES
 SHALL BE:
 TYLER SERIES NO. 6860
 MUELLER NO. H-10357 OR
 APPROVED EQUAL.

G.V. ADAPTOR AS
 MANUFACTURED BY ADAPTOR
 INC. OR APPROVED EQUAL.
 SEE ABOVE DETAIL

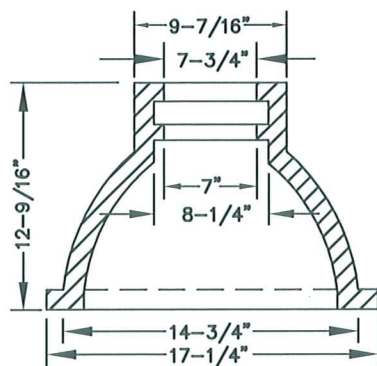


NOTES:
 ALL BOLTS INCLUDING T-BOLTS SHALL BE
 COR-BLUE.

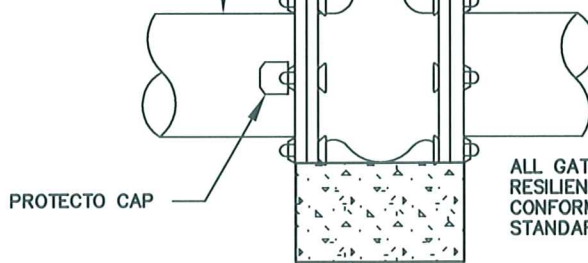
OPERATING ROD EXTENSION SHALL BE
 INSTALLED ON ALL GATE VALVES DEEPER
 THAN 9'.

GATE VALVE AND BOX SHALL BE STRAIGHT,
 ALLOWING A 4" PVC PIPE TO SLIDE DOWN
 THE BOX AND OVER THE GATE OPERATING
 NUT

MIDDLE SECTION



NO. 6 ROUND BASE



PROTECTO CAP

8" CONCRETE BLOCK

ALL GATE VALVES SHALL BE OF
 RESILIENT WEDGE TYPE
 CONFORMING TO AWWA C515
 STANDARDS.



CITY OF EDINA
 ENGINEERING
 & PUBLIC
 WORKS
 DEPTS.

GATE VALVE AND BOX

Wayne A. Haul
 APPROVED: CITY ENGINEER

REVISED:
 04-09

STANDARD
 PLATE
 105