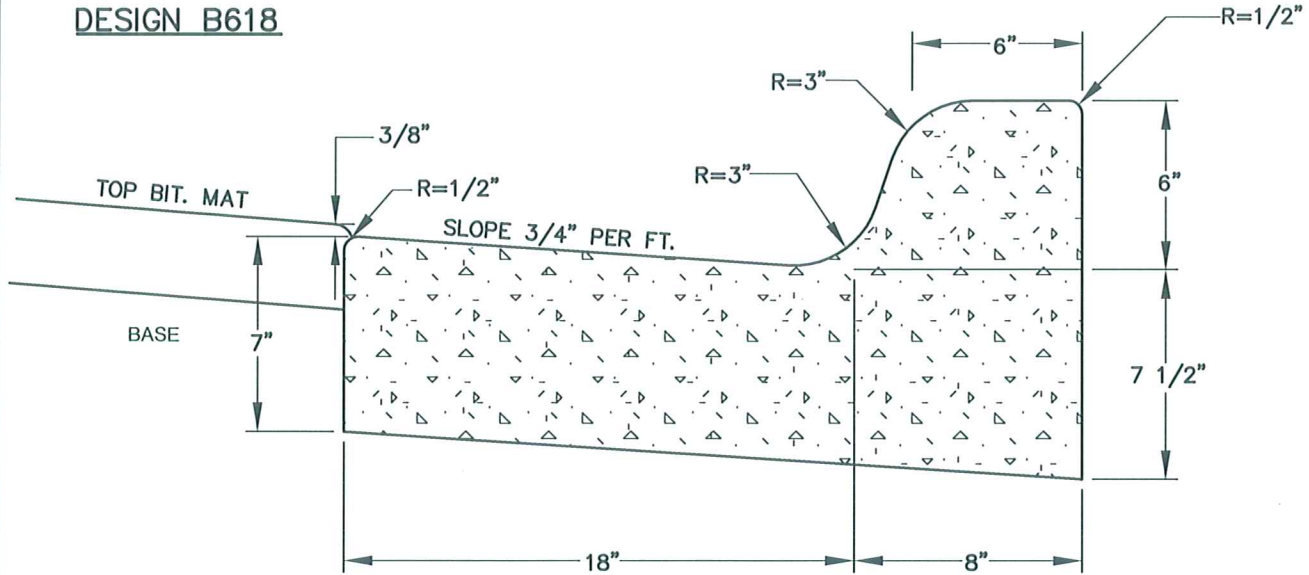
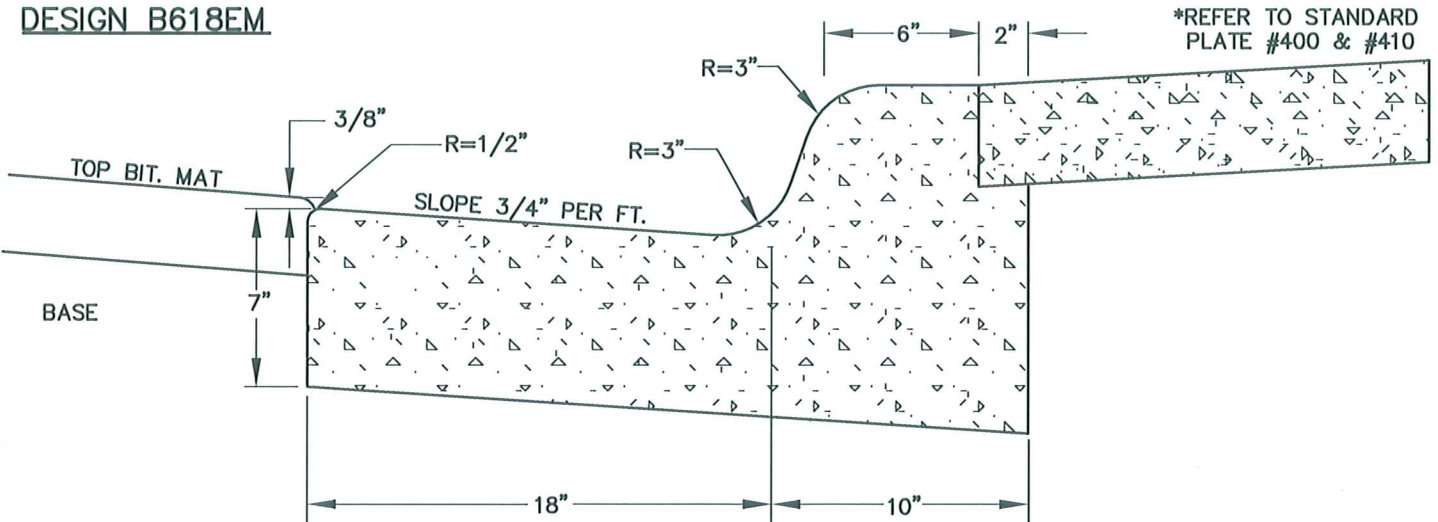


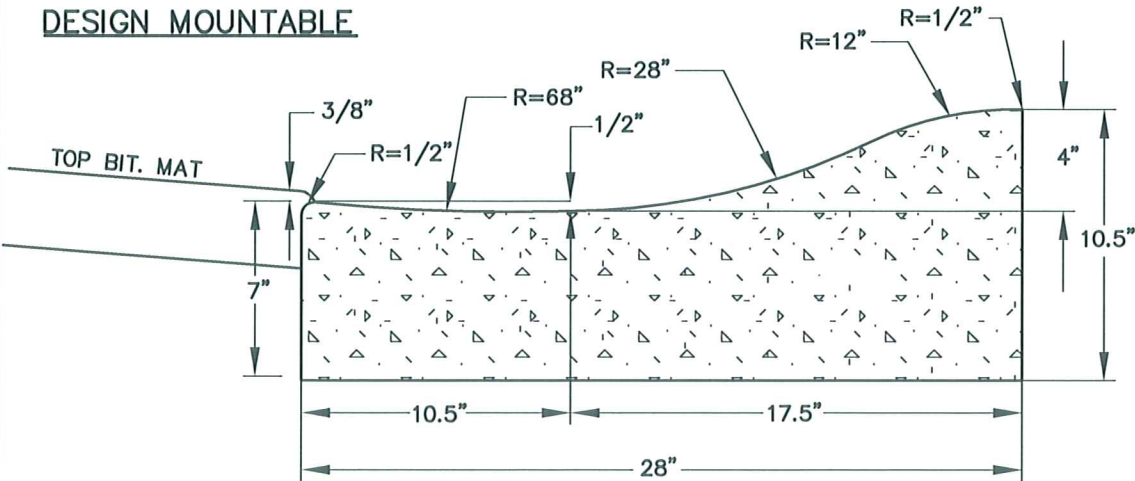
DESIGN B618



DESIGN B618EM



DESIGN MOUNTABLE



CITY OF EDINA
ENGINEERING
& PUBLIC
WORKS
DEPTS.

**CONCRETE CURB &
GUTTER**

Wayne Houle
APPROVED: CITY ENGINEER

REVISED:
04-09

STANDARD
PLATE
500