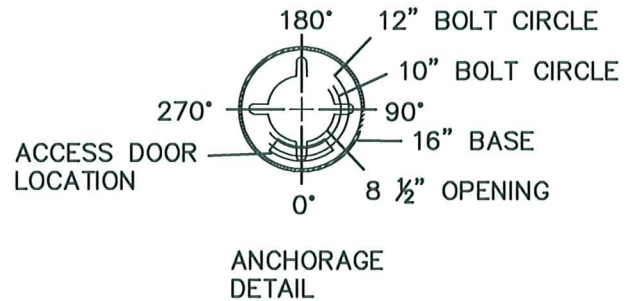
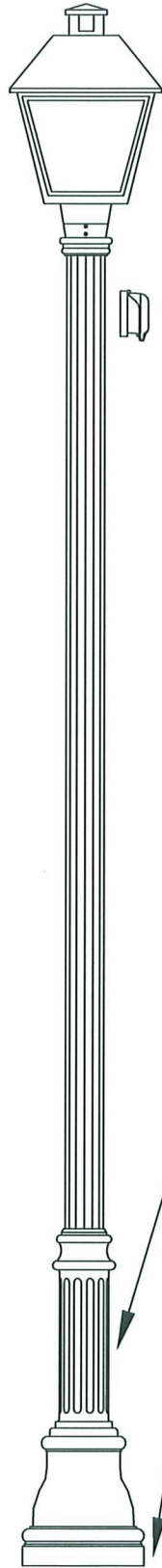


COACH STYLE LATERN WITH CUTOFF OPTICS
 LUMEC #L40U-100HPS-SCB3M-QTA/240-SFR-X
 FURNISH LAMP

FOR COLOR CHANGE "X" TO:
 BKTX FOR BLACK
 RAL8019 FOR BRONZE
 RAL6005 FOR DARK GREEN

FOR 20A GFI RECEPTACLE
 ADD # FGIUS-20
 (OPTIONAL - SEE PLAN)



CHARLESTON FLUTED POLE
 HOLOPHANE #CH14.5F5/U16-CA-X-T4 (4x4)

FOR COLOR CHANGE "X" TO:
 BKH FOR BLACK
 RAL8019 FOR BRONZE
 RAL6005 FOR DARK GREEN

BOLT CIRCLE 10" TO 12"
 3/4" ANCHOR BOLTS

APPROVED LIGHT BASE FOUNDATION:
 MILLERBERND # 490A111 SCREW-IN
 ANCHOR BASE, OR MN/DOT CONCRETE
 LIGHT BASE DESIGN E MOD
 (SEE PLAN FOR DETAIL)

COORDINATE COLORS BETWEEN POLE
 AND LUMINAIRE MANUFACTURER.
 SPECIFY RAL COLOR AS NECESSARY



CITY OF EDINA
 ENGINEERING
 & PUBLIC
 WORKS
 DEPTS.

COACH LANTERN

Wayne A. Houl
 APPROVED: CITY ENGINEER

REVISED:
 01-08

STANDARD
 PLATE

615